

ANGLE/TAP – INSTALLATION AND MAINTENANCE INSTRUCTIONS

Richmond Vinyl Flooring

I. GENERAL PREPARATIONS

Thank you for choosing our flooring. When properly installed and cared for, your new flooring will be easy to maintain and will keep its great look for years. Please read all the instructions before you begin the installation. Improper installation will void the warranty.

TOOLS REQUIRED: Electric jigsaw, circular or chop saw, Vinyl cutter and utility knife.

(If necessary, drill) Undercut saw, tape measure, square and carpenter pencil, tapping block, rubber mallet, and spacer(s). Broom, vacuum, moisture meter and hygrometer. Wear suitable protective equipment such as safety goggles, dust mask and gloves when sawing / cutting the planks.

- Prior to installation, inspect material in proper or adequate lighting for visible faults/damage, including defects or discrepancies in color or gloss; check the edges of the flooring for straightness and any damage. No claims on surface defects will be accepted after installation.
- Check if subfloor/site conditions comply with the specifications described in these instructions. If you are not satisfied, do not install, and contact your supplier. Failure to properly prepare the subfloor prior to installation of Richmond Vinyl Floor will cause issues and void warranties which may have applied.
- Flooring products can be heavy and bulky. Always use proper lifting techniques when handling these products. Whenever possible, make use of material-handling equipment such as dollies or material carts. Never lift more than you can safely handle; get assistance.
- Calculate the room surface prior to installation and plan an extra 5-10% of flooring for cutting waste.
- The environment where the flooring is to be installed is critically important regarding successful installation and continued performance of the flooring. The flooring is intended to be installed in interior locations only. These interior locations must meet climatic and structural requirements as well.
- In most cases, this product does not need to be acclimated. However, if the boxes of flooring were exposed over 2 hours to extreme temperatures under 50°F / 10°C or over 90°F / 32°C within the 12 hours before the installation, acclimation is required. In this case, keep the boards at room temperature for at least 12 hours in an unopened package before you start the installation. The room temperature must be maintained consistent between 50-90°F / 10-32°C before and during the installation.
- Flooring should only be installed in temperature ranges between 50-90°F / 10-32°C, it is necessary to maintain a constant temperature before and during the installation. Portable heaters are not recommended as they may not heat the room and subfloor sufficiently. Kerosene heaters should never be used.
- After installation, make sure that the flooring is not exposed to temperatures less than -22°F / -30°C or greater than 140°F / 60°C. Please use window coverings to protect the floor from fading under direct sunlight.
- For floor surfaces exceeding 6400 ft² / 620 m² and/or lengths exceeding 80 ft / 25 m, use expansion moldings.

II. SUBFLOOR INFORMATION

- The subfloor must be clean, dry, smooth, structurally sound, and flat.
- The flooring can be installed over most existing hard surface floor coverings, provided that the existing floor surface is clean, flat, dry, securely fastened, structurally sound and any undulations are ≤2 mm/m (0.08 inch per 3.3 ft) must be remediated.

- Cracking, Depressions, deep grooves, and other subfloor imperfections must be filled with patching & leveling compound.
- Do not use products containing petroleum, solvents, or citrus oils to prepare substrates as they can cause staining and expansion of the new flooring.
- Although this floor is waterproof, it is not aimed to be used as a moisture barrier.
- Existing sheet vinyl floors should not be heavily cushioned and not exceed more than one layer in thickness. Soft underlayment and soft substrates will cause damage to the locking mechanism, related to vertical deflection, and will void warranty.

WOOD SUBFLOORS

- If this flooring is intended to be installed over an existing wood floor, any loose boards or squeaks must be repaired before you begin the installation.
- Moisture content should not exceed 12%.
- New flooring boards must be laid at a right angle to the existing floorboards.
- All other subfloors - Plywood, OSB, particleboard, chipboard, wafer board, solid board, etc. must be structurally sound and must be installed following their manufacturer's recommendations.
- Use a system-specific insulation underlay to improve the impact noise if there is no attached pad on the flooring planks. Do not place moisture barriers on wood-based subfloors.

CONCRETE SUBFLOORS

- The concrete moisture vapor emissions should not exceed 8 lb / 3.63 kg (ASTM F1869) / 90 % RH (ASTM F2170) with a PH limit of 9 / max 2.5 % moisture content (CM method).
- Existing concrete subfloors must be fully cured, at least 60 days old, smooth, flat, permanently dry, and clean.
- Use a vapour barrier (a 6 mil / 0.15 mm poly-film) as a moisture barrier between the concrete subfloor and the flooring.

CRAWL SPACES

- Basements and crawl spaces must be dry. The use of a 6 mil / 0.15 mm poly-film is required to cover 100% of the crawl space ground.

IMPORTANT NOTICE

In-floor Radiant Heat: Flooring can be installed over 1/2" / 12 mm embedded radiant heat using the floating method. Maximum operating temperature should never exceed 85° F / 30° C. Use of an in-floor temperature sensor is recommended to avoid overheating.

- Turn the heat off for 24 hours before, during and 24 hours after installation when installing over radiant heated subfloors.
- Before installing over newly constructed radiant heat systems, operate the system at maximum capacity to force any residual moisture from the cementitious topping of the radiant heat system.
- Make sure that the temperature in the room is maintained consistent between 50-90° F / 10-32° C before and during the installation.
- Floor temperature must not exceed 85°F / 30° C.
- Once the installation has been completed, the heating system should be turned on and increased gradually (5° C increments) until returning to normal operating conditions.
- Refer to the radiant heat system's manufacturer recommendations for additional guidance.

Warning: Electric heating mats that are not embedded into the subfloor are not recommended for use underneath the floors. Using electric heating mats that are not embedded and applied directly underneath the floors could void the warranty for your floor in case of failure. It is best to install the flooring over embedded radiant floor heating systems and adhere to the guidelines listed above.

DO NOT INSTALL OVER

- Heating panel
- Carpet/ Carpet Pad
- Existing cushion-backed vinyl flooring.
- Floating floor of any type, loose lay, and perimeter fastened sheet vinyl.
- Wood subfloors that lay directly on concrete or over dimensional lumber or plywood used over concrete.
- Products with low dimensional stability

IMPORTANT: Wheelchairs and other mobility aids can add stress to vinyl based rigid core flooring joints and can cause failure of the fastening system. The torque from the wheeled mobility aids can damage the click joint. Only approved glue down product should be used.

III. INSTALLATION

- Remove baseboard, quarter-round moldings, wall base, appliances, and furniture from room. After preparation work, sweep and vacuum the entire work area to remove all dust and debris.
- Installing Richmond vinyl ensure to leave 6mm (1/4 inch) gaps between walls and fixtures such as pillars, stairs, and any vertical obstructions, etc. These gaps will be covered with trim moldings after the floor is installed.
- The end joints of the planks should be staggered a minimum of 12" / 30 cm apart for aesthetics. Do not install over expansion joints. Avoid installing pieces shorter than 12" / 30 cm at beginning or end of rows.
- Measure the area to be installed to avoid the board width of the last row shall not be less than 2" / 5cm wide. If so, adjust the width of the first row to be installed. In narrow hallways, install the floor parallel to the length of the hall or room.
- Do not install your kitchen cabinets directly over your floor. The floor's quality can only be guaranteed as long as the floor is allowed move freely.
- Decide the installation direction. Install the boards perpendicular to the window following the direction of the main source of light.
- Flooring transitions are to be used for room lengths and/ or widths more than 80 ft / 25 m. It is up to the installer to coordinate the mouldings with the flooring planks when installing. If the mouldings are not coordinating with the planks, it is up to the installer to not install and contact the Richmond representative.
- When cutting to size by using a circular, plunge or cross-cut saw, place the floorboards with the decor side facing upwards. When cutting to size by using jigsaw, move it over the back of the board.
- Pull from several cases of flooring shuffling planks to ensure a seamless finish.
- **UNDERLAY:** If the flooring planks do not have a pre-attached underlayment, an underlayment is recommended to improve acoustic performance and absorb some irregularities on the substrate. Best results can be expected with an underlayment of 0.04" / 1 mm to max 0.06" / 1.5 mm thickness with a high density (>11.2 lbs / ft³ / >180 kg / m³) and high compressive strength (>200 kPa) that supports the click system during daily use. Underlayment's with a low density and an inadequate compressive strength could damage the locking mechanism and will void warranty. If the floor has a pre-attached underlayment, the use of an additional underlayment could damage the locking mechanism and will void the warranty. For Glue down vinyl flooring, if an underlayment is used it must be double glued.

INSTALLTATION METHOD:

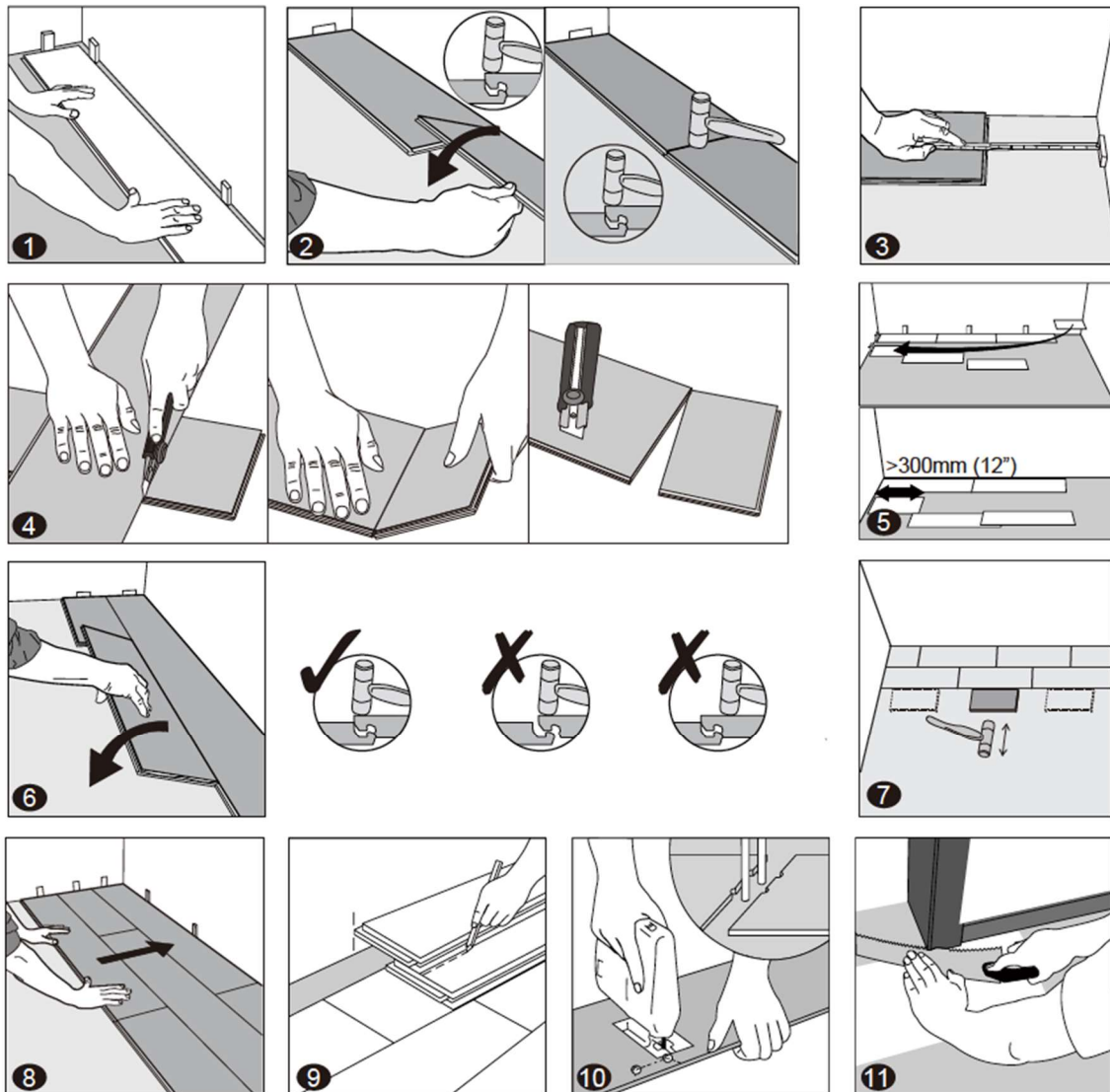
1. **First row, first plank:** Start laying the first row of planks in a left-hand corner of the room with the grooved edge facing you. Place the floorboard 6mm from the left wall for expansion space. Use spacers between the wall and the floorboard (Fig. 1).
2. **First row, second plank:** Join the edge of the boards and gently tap down the end with a rubber mallet so it firmly locks into the previous plank until both are at the same height. Make sure both planks are perfectly aligned. It is crucial that after the short edges of two connecting planks are correctly aligned, the end-joint locking mechanism is engaged by tapping with a rubber mallet directly above the end joint, allowing for a correct lock. Tapping elsewhere on the board may result in permanent damage to the joint. See image below (Fig. 2).

Note: Tapping the area close to the short edge, but not directly above it, may result in permanent damage

IMPORTANT: If you notice both planks aren't at the same height or are not well locked together, please follow the disassembling instructions at the bottom of the page. Disassemble and check if any debris stuck inside the lock is obstructing. Failure to properly line up the end joint and attempting to force it in while out of alignment could result in permanent damage to the end joint.

to the joint. Continue installing the first row until you reach the wall on the right.

3. **First row, last board:** At the end of the first row, leave an expansion gap of 6mm to the wall and measure the length of the last plank to fit (Fig. 3).
Note to cut the plank: Use a simple utility knife and ruler, and with the top side facing up, cut heavily and several times on the same axis. The knife will not go through the surface but make a deep cut. You can then lift one half of the plank using your other hand to hold down the second placing it very close to the cut. The plank will split naturally (Fig. 4).
4. **Second row, first board:** Start the second row with the leftover cut part of the last plank of the previous row. This small plank should measure at least 12" / 30 cm. Otherwise, cut a new plank in half and use it to begin the second row. The end joints of each adjoining row should not be closer than 8" / 20 cm to each other. Whenever practical, use the piece cut from the preceding row to start the next row (Fig. 5).
5. **Second row, second board and all subsequent boards of a row as follows:** The end-joint locking mechanism is engaged in a scissoring motion, starting from the angled in long side at the previous row. Click the long side of the plank into the previous row and place it tight to the short end of the previous plank with an angle of 25-30 ° (Fig. 6). Moderate (non-excessive) force should be exerted on the end joint. If the end-joint is lined up correctly, very little force is required. Drop the plank and gently tap on the end with a rubber mallet so it firmly locks into the previous plank until both are at the same height. The joint can be damaged if forced. Start tapping from the inside edge and work across the joint so the joint engages smoothly. Make sure both planks are perfectly aligned.
Note: A tapping block should be used consistently to ensure that the long side joint is engaged correctly (completely). Use tapping block and a small hammer or rubber mallet to gently tap the planks into the click of the previous row to make sure they are tightly clicked together and make sure there is no gap between the long side of the planks installed. Any gapping can compromise the whole installation (Fig. 7).
Tip: After the first 2-3 rows of planks are installed; they should be checked with a string line to ensure that rows are still running straight. If they are not, it could be that the starting wall has some irregularities that caused bowing in the installation. If so, the starting row of planks may have to be scribed and re-trimmed to account for any unevenness in the wall. This can be done without having to disassemble the beginning rows (Fig. 8).
6. **Last row:** Position a loose board exactly on top of the last row laid. Place another board on top, with the tongue side touching the wall. Draw a line along the edge of this board, to mark the first board. Keep in mind that there needs to be a 6mm gap for expansion space. Cut along the edge of this board to mark the first board. Cut along this line to obtain the required width. Insert this cut board against the wall. The last row should be at least 2" / 50 mm wide (Fig. 9).



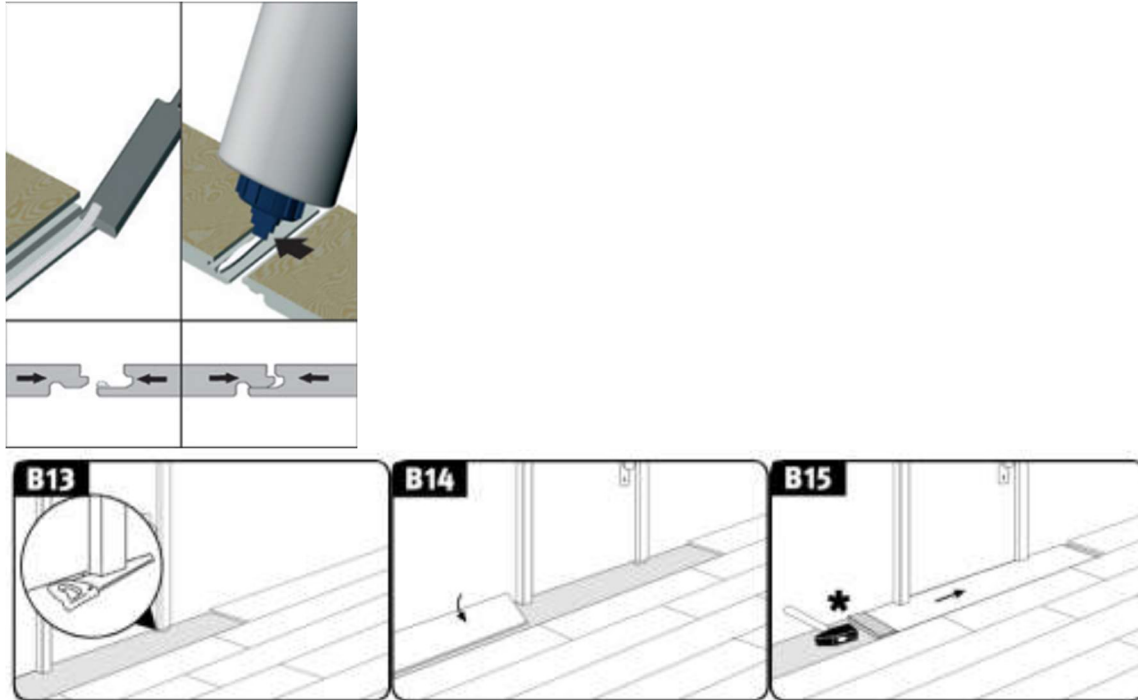
DOOR SKIRTING AND IRREGULAR AREAS

Pipes (Fig. 10)

- Measure the position of the pipes and mark it on the panel (allow for expansion gaps).
- Drill at least 12 mm (1/2 inch) larger than the diameter of the pipe.
- Saw the holes at a 45° angle.
- Fit and glue the piece, as modified.

Door frames (Fig. 11)

- If there are wooden door frames, they should be shortened by the installation height (flooring plus underlay materials) in consultation with the customer.
- If you are unable to angle the panels you will have to cut away the locking edge of the lip of the bottom groove. Run a bead of glue (use a cyanoacrylate glue) on the modified tongue and groove. Tap the panels tight together by using a hammer and push block or pull bar. If necessary, temporarily fix it with an adhesive tape.

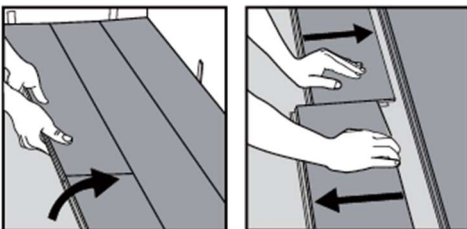


Floor Thresholds (T Bars) and Base Panels

Floor transition thresholds (T Bars) and base panels should be installed only after installation of the flooring. The required expansion space should be present under the threshold.

Attention! If the transition threshold (T Bar) is required, the base on which to attach them should be installed prior to installing the adjoining piece of Vinyl flooring.

Removal/dismantling of boards: Separate the whole row by lifting it up delicately at an angle. To separate the boards, leave them flat on the ground and slide them apart. If boards do not separate easily, you can slightly lift up the boards (5 degrees) when sliding them apart. **Tip:** If the boards are difficult to slide apart, it may be the lock is not fully engaged. Try tapping down with a rubber mallet, making sure the full length is engaged, then slide apart keeping boards flat on the ground.



IV. FINISHING THE INSTALLATION

Remove spacers from the perimeter to allow the floor to expand and contract accordingly. Replace molding or wall base, allowing slight clearance between the molding and the planks. Nail the molding to the wall surface, not through the flooring. At doorways and at other areas where the flooring planks may meet other flooring surfaces, the use of a transition molding is required to cover the exposed edge but do not pinch the planks. Do not install any hardware through the floor that will prevent it from moving freely.

V. MAINTENANCE

- Dry mop or vacuum daily using soft bristle attachments (Beater bars should be disabled). When water or solvents are used, please squeeze out all water.

- Damp mop as needed. Do not use household cleaning products that may leave residue or change the luster of the finish. Use a product-specific flooring cleaner.
- Clean up spills and excessive liquids immediately.
- Place a walk-off mat at outside entrances to reduce the amount of dirt brought into your home. Do not use mats with a rubber or latex backing as it can cause discolouration to the vinyl flooring.
- In commercial applications where the vinyl flooring area leads directly outside, an appropriately sized walk off zone must be built into the floor structure.
- Do not use abrasive cleaners, bleach, or wax to maintain the floor.

VI. PREVENTIVE CARE

- Use proper floor protection devices such as felt protectors under furniture.
- Never slide appliances or other heavy items across the floor. When moving appliances or heavy furniture always use 1/8" hardboard runways to protect the floor. Always use hardboard runways even if you have an appliance dolly or even if heavy objects are equipped with wheels or rollers. Be sure to roll or "walk" the item across hardboard runways. This protects your floor from scuffing, gouging, and tears.
- Attach felt pads to the feet of furniture, including chairs and tables. Clean these regularly, check for proper functionality, and replace if required.
- Heavy furniture and appliances should be equipped with non-staining large surface floor protectors.
- Furniture with castors or wheels must be easy swiveling, large surface, non-staining, and suitable for vinyl floors. Do NOT use ball type castors as they can damage the floor. Use 1/8" hardboard runways when moving these types of heavy wheeled furniture.
- Castor wheeled chairs should have wide, rubber castors. It is mandatory to place protective mats under office chairs or warranty is voided.
- Use floor protectors under furniture to reduce indentation. As a general rule of thumb, the heavier the item, the wider the floor protector needed.
- Avoid dropping heavy objects as they may dent or chip the surface.

SYSTÈME DE BLOCAGE « ANGLE/TAP » – INSTRUCTIONS D'INSTALLATION ET D'ENTRETIEN

Couvre-plancher de vinyle Richmond

I. PRÉPARATIFS GÉNÉRAUX

Merci d'avoir choisi notre couvre-plancher. Lorsqu'il est installé correctement et bien soigné, votre nouveau couvre-plancher sera facile à entretenir et conservera sa fière allure pendant des années. Veuillez lire toutes les instructions avant d'entreprendre l'installation. Une mauvaise installation annulera la garantie.

OUTILS NÉCESSAIRES : Scie sauteuse électrique, scie circulaire ou à découper, découpe de vinyle et couteau tout usage.

(Si nécessaire, perceuse) Scie à jambage, ruban à mesurer, équerre et crayon de charpentier, bloc de cale, maillet de caoutchouc et cale(s) d'espacement. Balai, aspirateur, humidimètre et hygromètre. Portez l'équipement de protection adéquat, comme des lunettes de sécurité, un masque antipoussière et des gants lorsque vous sciez / coupez les planches.

- Avant l'installation, inspectez le matériau sous un éclairage suffisant ou adéquat pour voir s'il comporte des défauts ou dommages visibles, y compris des défauts ou des divergences en termes de teinte ou de lustre; vérifiez les bords du couvre-plancher pour vous assurer qu'ils sont bien droits et qu'ils ne comportent aucun dommage. Aucune réclamation concernant des défauts superficiels ne sera acceptée après l'installation;
- Vérifiez si les conditions du sous-plancher / du lieu d'installation respectent les spécifications décrites dans les présentes instructions. Si vous n'êtes pas satisfait du produit, ne l'installez pas et communiquez avec votre fournisseur. L'omission de préparer convenablement le sous-plancher avant l'installation du plancher de Vinyle Richmond entraînera des problèmes et annulera toutes les garanties qui auraient pu s'appliquer;
- Les produits de couvre-plancher peuvent être lourds et encombrants. Employez toujours des techniques de levage adéquates lorsque vous manipulez ces produits. Dans la mesure du possible, utilisez de l'équipement de manutention de matériaux comme des plateaux roulants ou des chariots à matériaux. Ne levez jamais des charges supérieures à celles que vous pouvez manipuler en toute sécurité; obtenez de l'aide;
- Calculez la superficie de la pièce avant l'installation et prévoyez 5 à 10 % de couvre-plancher de plus pour combler les pertes dues à la coupe;
- L'environnement dans lequel le couvre-plancher sera installé est d'une importance cruciale en ce qui a trait à l'installation fructueuse et le rendement continu du couvre-plancher. Le couvre-plancher est conçu pour n'être installé qu'à des endroits à l'intérieur. Ces emplacements intérieurs doivent également répondre aux exigences climatiques et structurelles;
- Dans la plupart des cas, ce produit n'a pas besoin d'être acclimaté. Toutefois, si les boîtes de couvre-plancher ont été exposées pendant plus de 2 heures à des températures extrêmes inférieures à 10°C (50°F) ou supérieures à 32°C (90°F) dans les 12 heures précédant l'installation, une acclimatation est nécessaire. Dans ce cas, conservez les planches à la température de la pièce pendant au moins 12 heures dans un emballage non ouvert avant d'entreprendre l'installation. La température ambiante de la pièce doit être maintenue à une température constante variant entre 10 et 32°C (50 et 90°F) avant et pendant l'installation;
- Le couvre-plancher ne doit être installé qu'à des températures variant entre 10 et 32°C (50 et 90°F); il est nécessaire de maintenir une température constante avant et pendant l'installation. Les appareils de

chauffage portatifs ne sont pas recommandés, puisqu'ils peuvent ne pas chauffer la pièce et le sous-plancher suffisamment. Des appareils de chauffage au kérosène ne devraient jamais être utilisés;

- Après l'installation, assurez-vous que le couvre-plancher n'est pas exposé à des températures inférieures à -30°C (-22°F) ou supérieures à 60°C (140°F). Veuillez utiliser des couvre-fenêtres pour protéger le plancher contre la décoloration sous l'effet de l'exposition directe au soleil;
- Dans le cas de surfaces de plancher dont la superficie est supérieure à 620 m² (6 400 pi²) et/ou ayant des longueurs de plus de 25 m (80 pi), utilisez des moulures de dilatation.

II. RENSEIGNEMENTS SUR LES SOUS-PLANCHERS

- Le sous-plancher doit être propre, sec, lisse, solide du point de vue structurel et plat;
- Le couvre-plancher peut être installé sur la plupart des couvre-planchers à surface dure déjà en place, à condition que la surface de plancher déjà en place soit propre, plane, sèche, bien fixée, solide du point de vue structurel et toutes les ondulations doivent être ≤ 2 mm/m (0,08 po par 3,3 pi), autrement il faut y remédier;
- Les fissures, dépressions, rainures profondes et autres imperfections du sous-plancher doivent être remplies d'un composé de colmatage et de nivellement;
- N'utilisez pas de produit comportant du pétrole, des solvants ou des essences d'agrumes pour préparer les soubassements, puisqu'ils peuvent provoquer la souillure et la dilatation du nouveau couvre-plancher;
- Bien que ce plancher soit imperméable, il n'est pas conçu pour être utilisé comme une barrière contre l'humidité;
- Les planchers de vinyle en feuille déjà en place ne devraient pas être dotés d'un endos coussiné très épais et avoir plus d'une couche d'épaisseur. Un sous-plancher et des soubassements souples causeront des dommages au mécanisme de blocage liés à la déviation verticale et annuleront la garantie.

SOUS-PLANCHERS DE BOIS

- Si ce couvre-plancher est destiné à être installé sur un plancher de bois déjà en place, tous les panneaux mal fixés ou les grincements doivent être réparés avant d'entreprendre l'installation;
- La teneur en humidité ne doit pas dépasser 12 %;
- Les nouvelles planches de couvre-plancher doivent être posées dans un angle droit par rapport aux lames déjà en place;
- Tous les autres sous-planchers (contreplaqué, panneaux de copeaux orientés [OSB], panneaux de particules, aggloméré, panneaux gaufrés, planches solides, etc.) doivent avoir une structure solide et être installés en suivant les recommandations de leur fabricant;
- Utilisez une sous-couche isolante correspondant au système pour améliorer la réduction du bruit des chocs s'il n'y a aucune sous-couche coussinée sur les planches de couvre-plancher. Ne pas mettre de membranes étanches à l'humidité sur les sous-planchers de bois.

SOUS-PLANCHERS DE BÉTON

- Les émissions de vapeur d'humidité du béton ne doivent pas dépasser 3,63 kg (8 lb) (ASTM F1869) / 90 % d'HR (ASTM F2170) et avoir une limite de pH de 9 / teneur en humidité maximale de 2,5 % (selon la méthode CM);
- Les sous-planchers de béton déjà en place doivent être entièrement durcis, avoir au moins 60 jours et être lisses, plats, secs en permanence et propres;
- Utiliser un pare-vapeur (une pellicule de 6 mil / 0,15 mm) comme barrière d'humidité entre le sous-plancher de béton et le couvre-plancher.

VIDES SANITAIRES

- Les sous-sols et les vides sanitaires doivent être secs. L'utilisation d'une pellicule de polyéthylène de 6 mil / 0,15 mm est nécessaire pour recouvrir 100 % de la terre du vide sanitaire.

AVIS IMPORTANT

Plancher chauffant par rayonnement : Le couvre-plancher peut être installé sur un système de chauffage par rayonnement intégré de 12 mm (1/2 po) en utilisant la méthode de pose flottante. La température maximale de fonctionnement ne devrait jamais dépasser 30°C (85°F). L'utilisation d'un capteur thermique intégré au plancher est recommandée pour éviter la surchauffe.

- Éteignez le chauffage pendant 24 heures avant, durant et pendant 24 heures après l'installation lorsque vous installez le couvre-plancher sur des sous-planchers chauffés par rayonnement;
- Avant l'installation sur des systèmes de chauffage par rayonnement nouvellement construits, faites fonctionner le système à capacité maximale pour éliminer toute humidité résiduelle de la garniture cimentaire du système de chauffage par rayonnement;
- Assurez-vous de maintenir la température ambiante dans la pièce à une température constante entre 10 et 32°C (50 et 90°F) avant et pendant l'installation;
- La température du plancher ne doit pas dépasser 30°C (85°F);
- Une fois l'installation terminée, le système de chauffage doit être mis en marche et la chaleur doit être augmentée progressivement (à raison d'incréments de 5°C) jusqu'à ce que l'on soit de retour aux conditions normales de fonctionnement;
- Consultez les recommandations du fabricant du système de chauffage par rayonnement pour obtenir des directives supplémentaires.

NE PAS INSTALLER SUR

- Un panneau chauffant;
- Du tapis / un sous-tapis;
- Un couvre-plancher de vinyle à endos coussiné;
- N'importe quel type de plancher flottant ou sur du vinyle en feuille en pose libre ou fixé sur le périmètre;
- Des planchers de bois franc / sous-planchers de bois qui reposent directement sur le béton ou sur du contreplaqué ou du bois de construction de dimensions courantes utilisé sur du béton;
- Des produits ayant une faible stabilité dimensionnelle.

IMPORTANT : Les fauteuils roulants et autres dispositifs d'aide à la mobilité peuvent accroître la tension imposée aux joints des couvre-planchers à âme rigide en vinyle et peuvent provoquer la défaillance du système de fixation; La rotation des roues des dispositifs d'aide à la mobilité roulants peut endommager les joints à encliquetage; Seul un produit approuvé installé par pose collée doit être utilisé.

III. INSTALLATION

- Enlevez les plinthes, les quarts-de-rond, le socle mural, les appareils ménagers et les meubles de la pièce. Après les travaux de préparation, balayez et passez l'aspirateur sur la surface de travail au complet pour enlever la poussière et tous les débris;
- En installant le vinyle Richmond, assurez-vous de laisser un jeu de dilatation de 6 mm (1/4 po) entre les murs et les éléments fixes comme les piliers, les escaliers et toute obstruction verticale, etc. Ces jeux seront recouverts de moulures de garnissage une fois le plancher installé;
- Les joints d'extrémité des planches devraient être échelonnés à au moins 30 cm (12 po) les uns des autres pour une meilleure esthétique. Ne pas installer ce couvre-plancher sur les joints de dilatation. Évitez d'installer des pièces de moins de 30 cm (12 po) de longueur au début ou à la fin des rangées;
- Mesurez la superficie de l'installation pour éviter que la largeur de planche de la dernière rangée soit inférieure à 5 cm (2 po). Si c'est le cas, ajustez la largeur de la première rangée à installer. Dans les corridors étroits, installez le plancher parallèlement au sens de la longueur du corridor ou de la pièce;

- Ne pas installer des armoires de cuisine directement sur votre plancher. La qualité du plancher ne peut être garantie qu'à la condition que le plancher puisse bouger librement;
- Déterminez le sens de l'installation. Installez les panneaux perpendiculairement à la fenêtre en suivant le sens dans lequel va la source principale de lumière;
- Des transitions doivent être employées lorsque la longueur et la largeur de la pièce excèdent 25 m (80 pi). Il appartient à l'installateur de coordonner les moulures avec les planches du revêtement au moment de l'installation. Si les moulures ne sont pas coordonnées avec les planches, il appartient à l'installateur de ne pas installer le couvre-plancher et de communiquer avec le représentant ou la représentante de Richmond;
- Lorsque vous découpez une planche sur mesure en utilisant une scie circulaire, plongeante ou à débiter, placez-la de façon à ce que la surface décorative soit orientée vers le haut. Lorsque vous découpez une planche sur mesure en utilisant une scie sauteuse, déplacez-la scie vers l'arrière de la planche;
- Choisissez des planches provenant de plusieurs emballages de couvre-plancher différents en les mélangeant pour vous assurer d'obtenir un fini homogène;
- **SOUS-COUCHE** : Si les planches du revêtement n'ont pas une sous-couche intégrée au préalable, une sous-couche est recommandée afin d'améliorer le rendement acoustique et absorber certaines irrégularités sur le soubassement. On peut s'attendre à obtenir des résultats optimaux avec une sous-couche d'une épaisseur allant de 1 mm (0,04 po) jusqu'à 1,5 mm (0,06 po) au maximum ayant une densité élevée (>180 kg/m³ [11,2 lb/pi³]) et une résistance à la compression élevée (>200 kPa) compatible avec le système d'encliquetage durant l'utilisation quotidienne. Les sous-couches ayant une faible densité et une résistance à la compression inadéquate pourraient endommager le mécanisme de blocage et annuleront la garantie. Si le plancher est doté d'une sous-couche intégrée au préalable, l'utilisation d'une sous-couche supplémentaire pourrait endommager le mécanisme de blocage et annulera la garantie. Dans le cas des couvre-planchers installés par pose flottante, si une sous-couche est utilisée, elle doit être doublement collée.

MÉTHODES D'INSTALLATION

1. **Première rangée, première planche** : Commencez à poser la première rangée de planches dans un coin à gauche de la pièce, le côté rainuré orienté vers vous. Placez la lame de parquet à 6 mm du mur de gauche, de façon à laisser un jeu de dilatation. Utilisez des cales d'espacement entre le mur et la latte de plancher (Fig. 1).
2. **Première rangée, deuxième planche** : Rabotez le bord des planches et tapotez doucement sur l'extrémité avec un maillet en caoutchouc de façon à ce que la planche installée s'emboîte fermement dans la planche précédente, jusqu'à ce que les deux soient à la même hauteur. Assurez-vous que les deux planches sont parfaitement alignées. Il est crucial, une fois que les bords courts de deux planches raccordées entre elles sont correctement alignés, que le mécanisme de blocage du joint d'extrémité soit bien engagé en tapotant la planche avec un maillet en caoutchouc directement au-dessus du joint d'extrémité, ce qui permet un emboîtement solide, comme il se doit. Tapoter ailleurs sur les planches peut se solder par des dommages permanents infligés aux joints. Voir l'image ci-dessous (Fig. 2).

IMPORTANT : Si vous remarquez que les deux planches ne sont pas de la même hauteur ou ne sont pas bien emboîtées l'une dans l'autre, veuillez suivre les instructions de démontage figurant au bas de la page. Démontez-les et vérifiez si un débris coincé à l'intérieur du mécanisme d'emboîtement le bloque. L'incapacité d'aligner correctement le joint d'extrémité et essayer de l'insérer de force alors qu'il est mal aligné peut se solder par des dommages permanents infligés au joint d'extrémité.

Remarque : Tapoter la partie qui se trouve à proximité du bord court, mais pas directement au-dessus de celui-ci, peut se solder par des dommages permanents infligés au joint. Continuez à installer la première rangée jusqu'à ce que vous atteigniez le mur de droite.

3. **Première rangée, dernière planche :** À la fin de la première rangée, laissez un jeu de dilatation de 6 mm au pied du mur et mesurez la longueur de la dernière planche pour qu'elle convienne à l'espace qu'il reste en tenant compte de ce jeu (Fig. 3).

Remarque concernant le découpage de la planche : Utilisez un simple couteau utilitaire et une règle et, la partie supérieure vers le haut, découpez avec force et plusieurs fois en suivant le même axe. Le couteau ne passera pas à travers la surface, mais il laissera une entaille profonde. Vous pouvez ensuite soulever la moitié de la planche en utilisant votre autre main pour tenir l'autre moitié en la plaçant très près de l'entaille. La lame de parquet se fendra naturellement (Fig. 4).

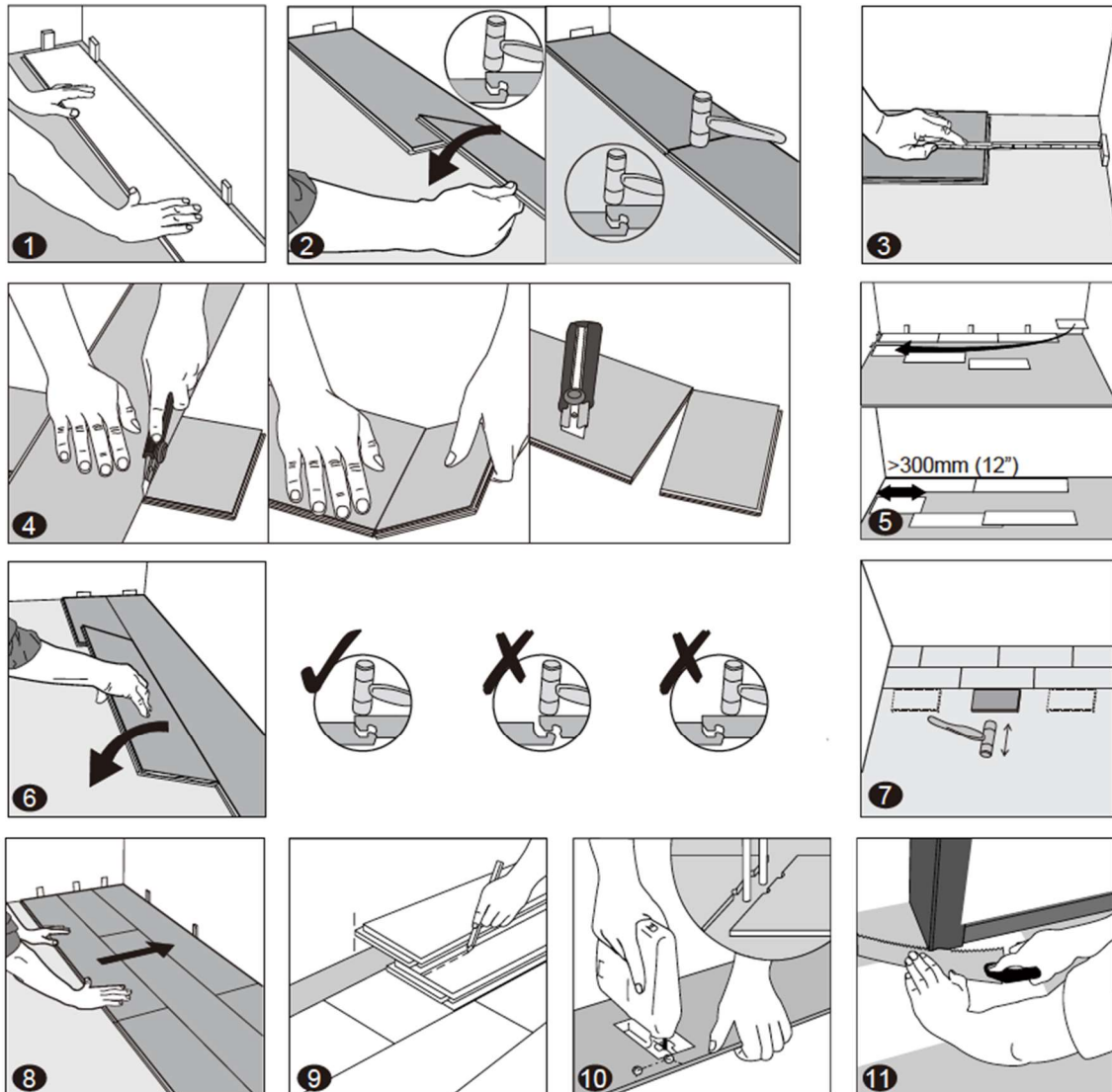
4. **Deuxième rangée, première planche :** Entamez la deuxième rangée avec le reste de la partie découpée de la dernière planche de la rangée précédente. Cette petite planche devrait mesurer au moins 30 cm (12 po), sinon, découpez une nouvelle planche au milieu et utilisez-la pour entamer la deuxième rangée. Les joints d'extrémité de chaque rangée adjacente ne doivent pas être plus rapprochés que 20 cm (8 po) les uns des autres. Chaque fois que c'est possible, utilisez le reste du morceau découpé pour terminer la rangée précédente pour entamer la rangée suivante (Fig. 5).

5. **Deuxième rangée, deuxième planche et pour toutes les planches suivantes de la rangée, faire comme suit :** Le mécanisme de blocage des joints d'extrémité est emboîté dans un mouvement en ciseaux, en commençant par le côté long inséré en angle dans la rangée précédente. Encliquez le côté long de la planche dans la rangée précédente et appuyez-la fermement contre le côté court de la planche précédente dans un angle de 25 à 30° (Fig. 6). Une force modérée (c.-à-d. non excessive) devrait être appliquée sur le joint d'extrémité. Si le joint d'extrémité est aligné correctement, peu de force est nécessaire. Laissez tomber la planche et tapotez doucement sur l'extrémité avec un maillet en caoutchouc de façon à ce qu'elle s'emboîte fermement dans la planche précédente jusqu'à ce que les deux soient à la même hauteur. Le joint peut être endommagé s'il est forcé. Commencez à tapoter à partir du bord intérieur et poursuivez tout le long du joint de façon à ce qu'il s'engage en douceur. Assurez-vous que les deux planches sont parfaitement alignées.

Remarque : Une cale de frappe devrait être utilisée systématiquement pour s'assurer que le joint du côté long est emboîté correctement (complètement). Utilisez une cale de frappe et un petit marteau ou maillet en caoutchouc et tapotez doucement les planches dans le mécanisme d'emboîtement par clic de la rangée précédente pour s'assurer qu'elles sont solidement enclenchées les unes dans les autres et veillez à ce qu'il n'y ait aucun jeu entre le côté long des planches installées. Tout espacement peut compromettre l'installation au complet (Fig. 7).

Astuce : Après avoir installé les deux ou trois premières rangées de planches, elles doivent être vérifiées avec un cordeau pour s'assurer que les rangées sont toujours bien droites. Si ce n'est pas le cas, il se pourrait que le mur de départ ait certaines irrégularités qui ont provoqué la courbure dans l'installation. Le cas échéant, la rangée de planches de départ peut devoir être tracée et taillée pour tenir compte de toute inégalité du mur. Cela peut être fait sans avoir à démonter les rangées de départ (Fig. 8).

6. **Dernière rangée :** Placez une planche non fixée exactement sur le dessus de la dernière rangée posée. Placez une autre planche sur le dessus, avec le côté languette en contact avec le mur. Tracez une ligne le long du bord de cette planche pour marquer la première planche. N'oubliez pas qu'il doit y avoir un jeu de dilatation de 6 mm. Coupez le long du bord de cette planche pour marquer la première planche. Coupez le long de cette ligne pour obtenir une planche de la largeur nécessaire. Insérez cette planche coupée contre le mur. La dernière rangée devrait être d'au moins 50 mm (2 po) de largeur (Fig. 9).



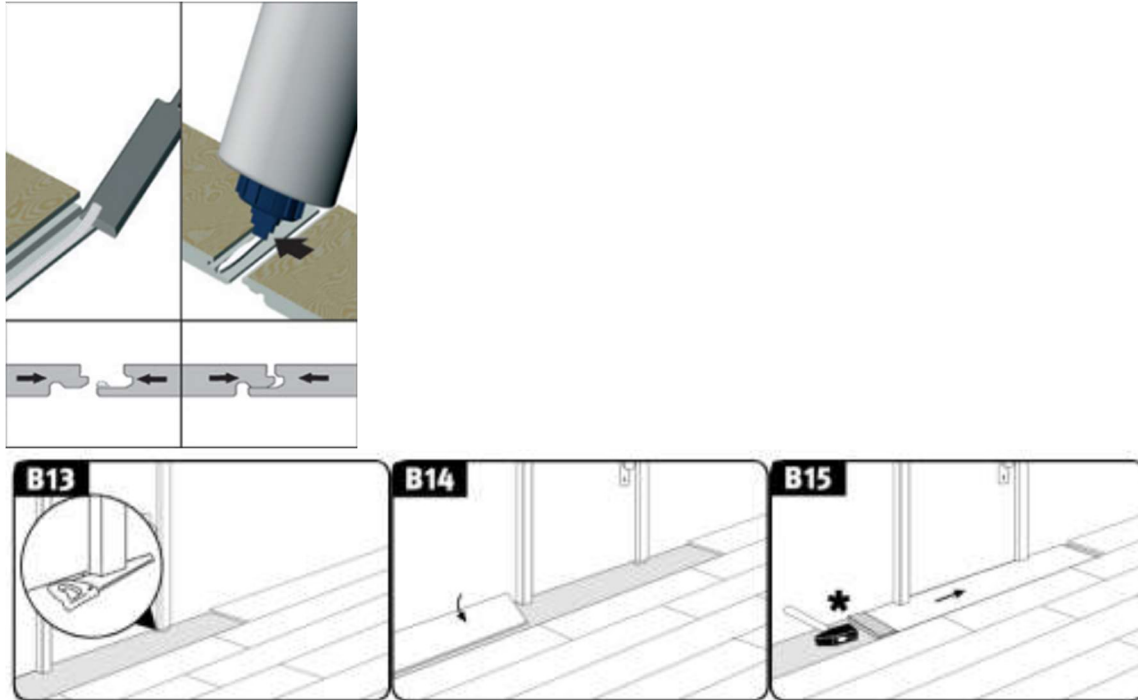
PLINTHES DE PORTE ET AUTRES ENDROITS IRRÉGULIERS

Tuyaux (Fig. 10)

- Mesurez la position des tuyaux et marquez le contour sur la planche (prévoyez laisser des jeux de dilatation);
- Percez un trou d'au moins 12 mm (1/2 po) plus grand que le diamètre du tuyau;
- Sciez les trous dans un angle de 45°;
- Mettez la pièce bien en place et collez-la avec les modifications apportées.

Cadres de porte (Fig. 11)

- S'il y a des cadres de porte en bois, ils devraient être raccourcis d'une longueur de la hauteur de l'installation (le couvre-plancher et les matériaux utilisés comme sous-couche) en consultation avec le client;
- Si vous n'êtes pas en mesure d'incliner les planches, vous devrez couper l'arête de blocage de la lèvre de la rainure inférieure. Étalez un cordon de colle (utilisez une colle à base de cyanoacrylate) sur la languette et la rainure modifiées. Tapotez sur les planches pour qu'elles soient bien collées l'une sur l'autre à l'aide d'un marteau et d'un bloc poussoir ou d'une barre de traction. Si nécessaire, fixez-les temporairement avec du ruban adhésif.



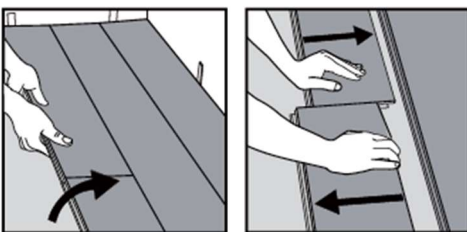
Seuils de plancher (barres en T) et panneaux de base

Les seuils de transition de plancher (les barres en T) et les panneaux de base devraient être installés seulement après l'installation du couvre-plancher. Le jeu de dilatation requis devrait être présent sous le seuil.

Attention! Si le seuil de transition (barre en T) est nécessaire, la base sur laquelle il doit être fixé devrait être installée avant d'installer la pièce de couvre-plancher en vinyle adjacente.

Enlèvement / démantèlement des planches : Séparez la rangée au complet en la soulevant délicatement en angle.

Pour séparer les planches, laissez-les à plat sur le sol et glissez-les. Si les planches ne se séparent pas facilement, vous pouvez les soulever légèrement (dans un angle de 5°) pour les détacher l'une de l'autre. **Astuce :** Si les planches sont difficiles à détacher l'une de l'autre, c'est peut-être parce que le mécanisme de blocage n'est pas complètement enclenché. Essayez de les tapoter avec un maillet de caoutchouc, en vous assurant qu'elles sont enclenchées sur la pleine longueur, puis glissez-les pour les séparer en les maintenant à plat sur le sol.



IV. FINIR L'INSTALLATION

Enlevez les cales d'espacement du périmètre pour permettre au plancher de se dilater et de se contracter en conséquence. Remplacez la moulure ou la plinthe, en laissant un léger jeu entre la moulure et les planches. Clouez la moulure à la surface du mur, et non au couvre-plancher. Aux portes et à d'autres endroits où les planches du couvre-plancher peuvent rejoindre d'autres surfaces de couvre-plancher, l'utilisation d'une moulure de transition est nécessaire pour recouvrir le bord exposé, mais ne pas coincer les planches. Ne pas installer de quincaillerie à travers le plancher qui l'empêchera de bouger librement.

V. ENTRETIEN

- Passez une vadrouille sèche ou l'aspirateur en utilisant des accessoires à poils doux (les brosses batteuses doivent être désactivées). Lorsque de l'eau et des solvants sont utilisés, veuillez essorer complètement l'eau;
- Passez une vadrouille humide au besoin. N'utilisez pas de produits de nettoyage ménagers qui pourraient laisser des résidus ou changer le lustre du fini. Utilisez un produit de nettoyage de couvre-plancher conçu expressément pour le produit;
- Nettoyez immédiatement les déversements et les liquides excessifs;
- Placez un paillason aux entrées extérieures afin de réduire la quantité de saletés amenées à l'intérieur de votre résidence. N'utilisez aucun tapis muni d'un endos en caoutchouc ou en latex, puisque cela peut causer la décoloration du couvre-plancher de vinyle;
- Dans les applications commerciales où la surface de plancher de vinyle mène directement à l'extérieur, un espace pour paillason d'une taille adéquate doit être intégrée dans la structure du plancher;
- Ne pas utiliser de nettoyeurs abrasifs, de javellisant ou de cire pour entretenir le plancher.

VI. ENTRETIEN PRÉVENTIF

- Utilisez les dispositifs de protection de plancher indiqués, comme des protecteurs de feutre sous les meubles;
- Ne jamais faire glisser les appareils ménagers ou d'autres objets lourds sur le plancher. Lorsque vous déplacez les appareils ménagers ou des meubles lourds, utilisez toujours des passerelles de bois pour protéger le plancher. Utilisez toujours des passerelles de bois même si vous disposez d'un chariot à roulettes pour appareils ménagers ou même si des objets lourds sont munis de roulettes ou de rouleaux. Assurez-vous de faire rouler ou de déplacer autrement l'objet sur les passerelles de bois. Cela protège votre plancher contre les éraflures, les entailles et les déchirures;
- Apposez des patins en feutre sous les pattes des meubles, y compris les chaises et les tables. Nettoyez-les régulièrement, vérifiez leur bon fonctionnement et remplacez-les, au besoin;
- Les meubles lourds et les appareils ménagers doivent être munis de protecteurs de plancher à grande surface qui ne tachent pas;
- Les meubles sur roulettes doivent être faciles à faire pivoter et les roulettes doivent couvrir une grande surface, ne pas laisser de taches et convenir aux planchers de vinyle. Ne PAS utiliser des roulettes de type sphérique puisqu'elles peuvent endommager le plancher. Utilisez des passerelles de bois de 1/8 po lorsque vous déplacez ces types de meubles lourds munis de roulettes;
- Les fauteuils roulants doivent être munis de larges roulettes en caoutchouc. C'est obligatoire de placer des tapis protecteurs sous les chaises de bureau, sinon cela annule la garantie;
- Utilisez des protecteurs de plancher sous les meubles afin de réduire le renfoncement. En règle générale, plus l'objet est lourd, plus le protecteur de plancher doit être large;
- Évitez de laisser tomber des objets lourds, puisqu'ils peuvent renfoncer ou ébrécher la surface.